



Product designation

Product type designation

Description

Accessories for

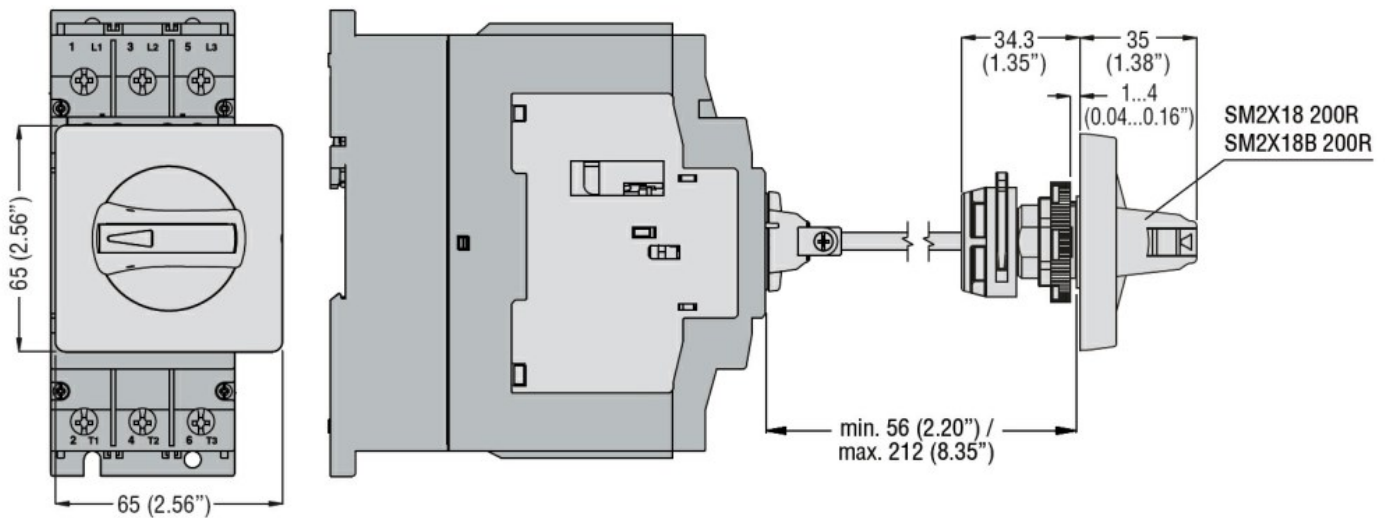
Mechanical features

Operating position

Padlockable IP65 (4X) door coupling handle for SM2R... and SM3R...  
SM2X  
Padlockable IP65 door coupling handle for SM2R... and SM3R...  
SM2R..., SM3R...

	normal	Other
Weight	g	115

**Dimensions**



**Certifications and compliance**

Compliance

CSA C22.2 n° 14  
IEC/EN 60947-1  
IEC/EN 60947-5-1  
UL508

Certificates

cULus  
EAC

**ETIM classification**